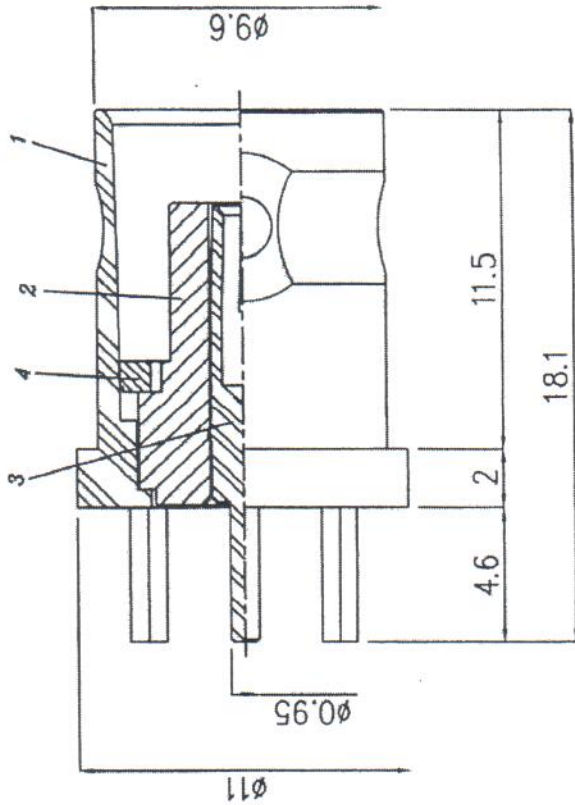
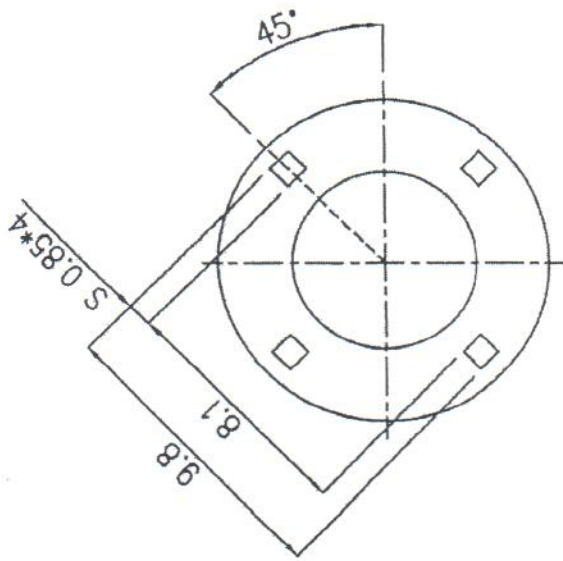


$\phi 1.6\text{min} * 4$
 $\phi 1.1\text{min} * 1$
 PCB MOUNTING HOLE



Toby Electronics Ltd
 Beaumont Road Industrial Estate
 Banbury Oxfordshire OX16 1TU

Tel: 01295 271777 Fax: 01295 271744
 email: sales@toby.co.uk web: www.toby.co.uk

圖號: B-P215-ROHS
 日期: 2008年12月10日
 單位: mm
 比例: 4.1:1
 公差: 0-0.5mm ± 0.10mm, 0.5-8mm ± 0.20mm, 8-30mm ± 0.40mm, 30-120mm ± 0.50mm

編號: B-P215-ROHS
 電鍍: NGT
 描述: BNC STRAIGHT PCB JACK

版次: C 版
 製圖: Lilian
 設計: [Signature]
 認定: [Signature]
 APPROVED

NO DESCRIPTION	QTY	ITEM NO.	MATERIAL	PLATING
1 BODY	1	B-P215-	BRASS	TIN
2 DIELECTRIC	1	T-060040	PTFE	-
3 CENTER PIN	1	B-P215-	BRASS	GOLD
4 PARTS	1	R-08001-ROHS	BRASS	TIN

NCT: 1st N is Nickel for body. 2nd G is Gold for pin.
 3rd T is PTFE for insulation.