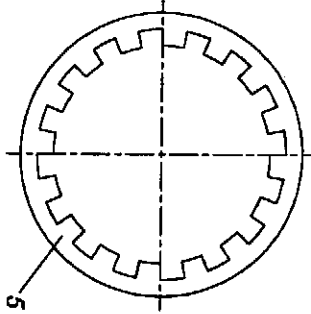
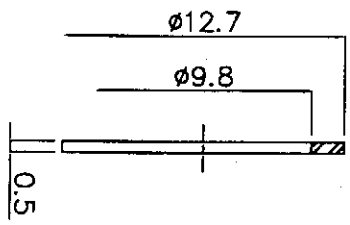
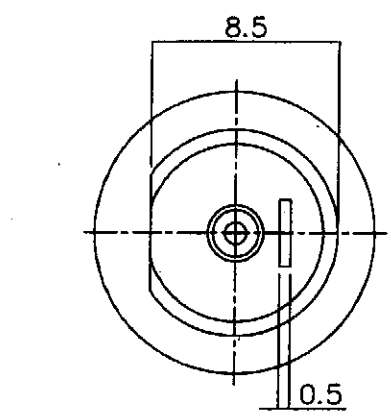
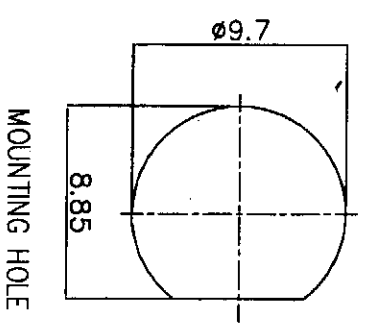


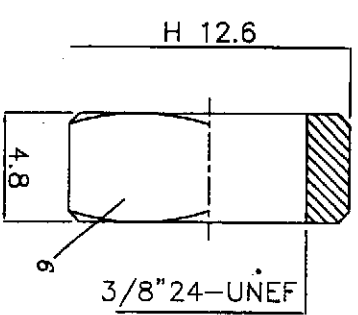
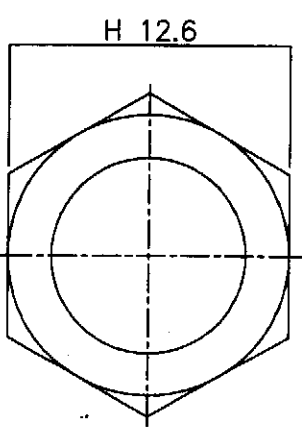
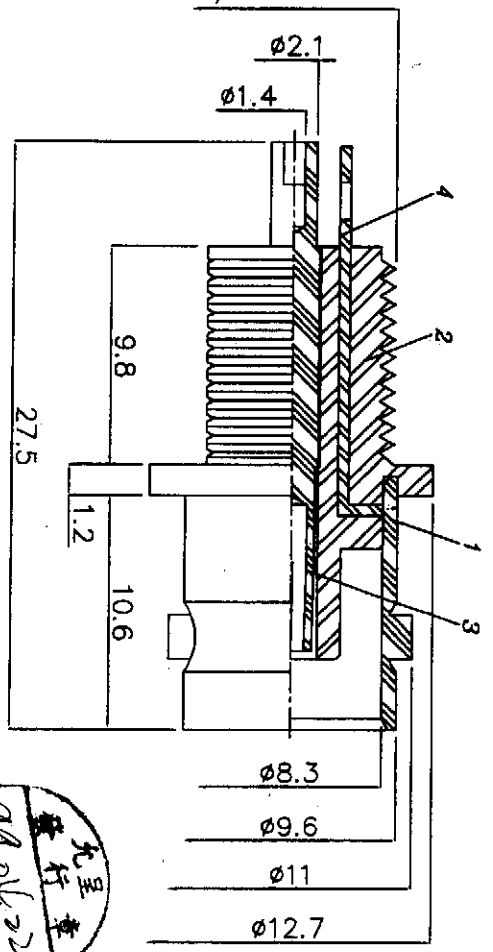


允呈實業有限公司
YUN CHEN INDUSTRIAL CO., LTD

| | | | | | |
|-------------|----------------------------|-------------|------------------|----------|--------|
| 編號 | B-235-1-ROHS | 圖號 | .\B\B-235-1-ROHS | 版本 | B 版 |
| ITEM NO. | | DRAMING NO. | | EDITION | |
| 電數 | NGD (500) | 日期 | 2007 年 11 月 19 日 | 製圖 | Lilian |
| PLATING | | DATE | | DRAWER | |
| 描述 | BNC STRAIGHT BULKHEAD JACK | 單位 | mm | 設計 | |
| DESCRIPTION | RECEPTACLE | UNIT | | DESIGN | |
| 公差 | 0-0.5mm ± 0.10mm | 比例 | 2.9:1 | 認定 | |
| | B-30mm ± 0.40mm | SCALE | | APPROVED | |
| | | | | | |



($\phi 9.25 \pm 0.05$)
3/8"-24UNEF



允呈實業
發行
99.06.22
文件審核中心

| NO | DESCRIPTION | QTY | ITEM NO. | MATERIAL | PLATING |
|----|-------------|-----|--------------|---------------------|------------------|
| 1 | BODY | 1 | B-235-1-ROHS | BRASS | NICKEL 100μ" MIN |
| 2 | DIELECTRIC | 1 | B-235-1 | ABS | |
| 3 | CENTER PIN | 1 | B-235-1 | PHOSPHOR BRONZE | GOLD 3-5μ" MIN |
| 4 | PARTS | 1 | B-235-1-ROHS | BRASS | TIN 100μ" MIN |
| 5 | LOCK WASHER | 1 | B-235-1 | MEDIUM CARBON STEEL | NICKEL 100μ" MIN |
| 6 | NUT | 1 | B-235-1-ROHS | BRASS | NICKEL 100μ" MIN |

NGD: 1st N is Nickel for body. 2nd G is Gold for pin.
3rd D is Delrin for insulation.