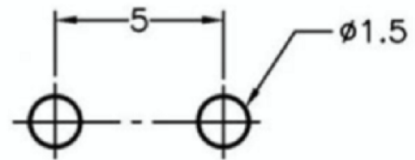
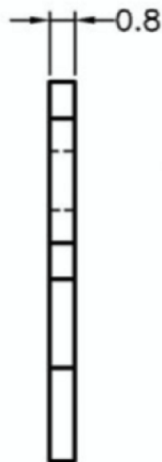
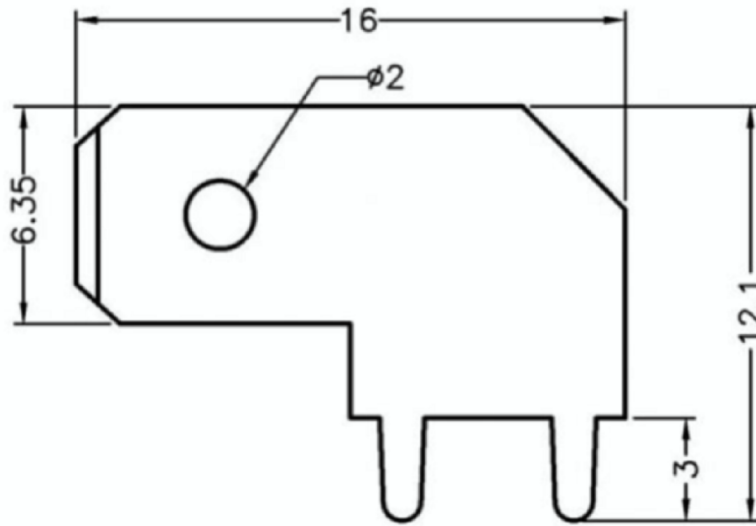




THE VITAL COMPONENT

WEBSITE PHOTOS

⚠ This dwg is for reference only, Actual dwg should be based on formal engineering dwg



MOUNTING HOLES



the vital component

PART NUMBER		PCF250	SPEC. DWG.	
TITLE		P.C.B TERMINAL		
MATERIAL		TIN PLATED BRASS	COLOR	
SIZE	SCALE	UNIT	CHECK	
A4	2:1	mm	Z.C	