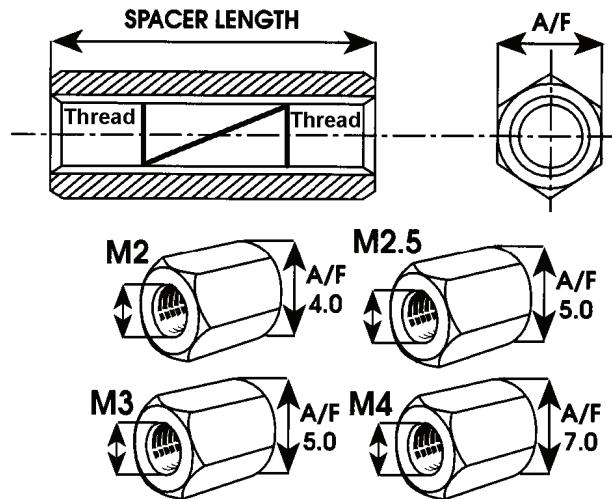
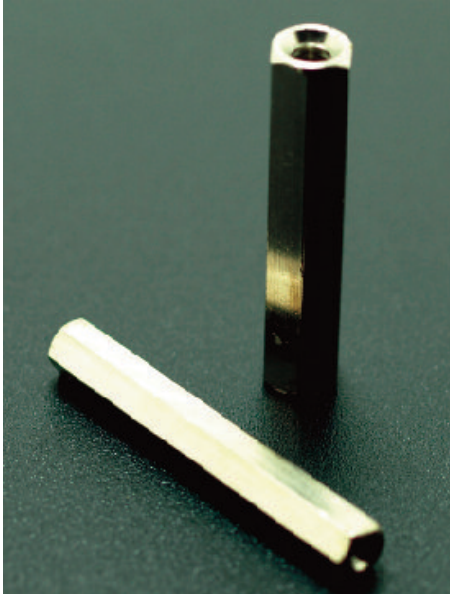


Brass (Long) Part Threaded Hex Spacers VBFFS-Mx-OD-xx Series

Brass (CZ121) Nickel plated RoHS compliant hex spacers

Four thread types available - M2, M2.5, M3 & M4 (ends threaded to at least 6mm)



Ordering Information:

VBFFS - Mx - O/D - xx (mm)
 1 2 3

Option 1 (Mx) **Mx = Mx thread type**
 M2, M2.5, M3 & M4

Option 2 (O/D) **O/D = Outer diameter in mm (Across flats A/F)**
 4.0 (M2), 5.0 (M2.5), 5.0 (M3), 7.0 (M4)

Option 3 (xx) **xx = Overall Body Length in mm**
 20mm to 50mm
 (Custom lengths may be available subject to MOQ)

Ordering example VBFFS-M2.5-5.0-20 is a 20mm length M2.5 spacer

Please note: Thread type (Mx) and O/D order codes must always match the Mx thread requirement