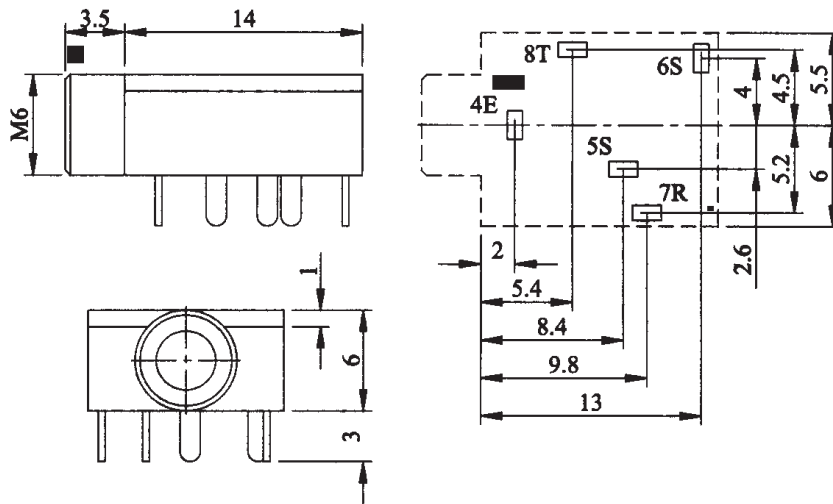
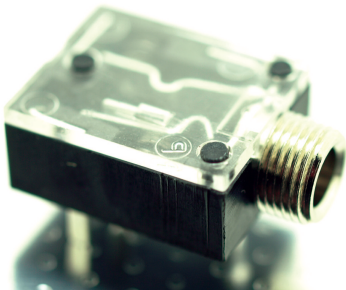


UJ-3508-x-x-R Series - 3.5Ø Stereo Horizontal Phono Jack

Through Hole PCB Type - RoHS compliant (suffix -R)
4 Schematic options available (-N option is without screwthread & nut)



UJ-3508-A-R	UJ-3508-B-R	UJ-3508-C-R	UJ-3508-D-R
UJ-3508-A-N-R	UJ-3508-B-N-R	UJ-3508-C-N-R	UJ-3508-D-N-R

Specification:

Insulator Material: LCP UL94V-0 Black
 Contact Material: Copper Alloy
 Contact Plating: Tin over Ni plating
 DWV: 500V AC for 1 minute
 Insulation Resistance: 100MΩ min. @ 250V DC
 Contact Resistance: 30mΩ Max. / 60mΩ Max (after durability test)
 Operating Temperature: -25°C to +80°C



the **vital**
component