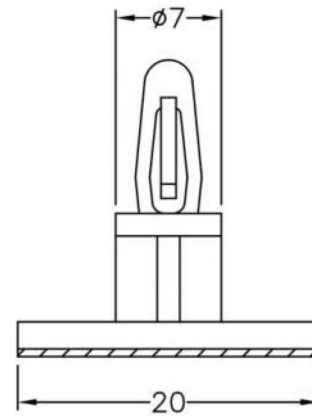
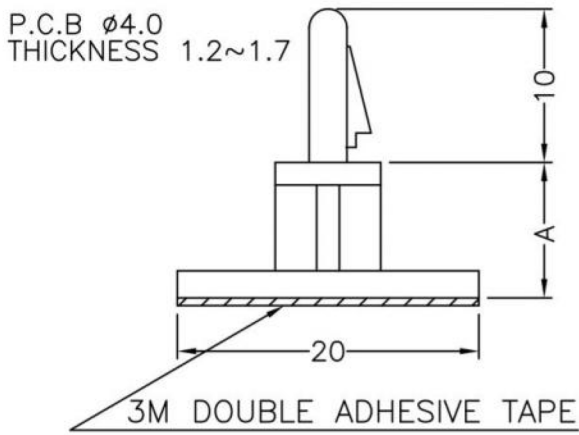


**⚠** This dwg is for reference only, Actual dwg should be based on formal engineering dwg.



Part#	A
ASS-5	5.5
ASS-6	4.6
ASS-8	7.2
ASS-10	9.0
ASS-12	12.0
ASS-15	15.4

The height does not include the releasing paper and adhesive tape thickness.

PART NUMBER		ASS-xx	SPEC. DWG.	
TITLE		SPACER SUPPORT		
MATERIAL		NYLON 66(UL) 94V-0	COLOR	
			NATURAL	
SIZE	SCALE	UNIT	CHECK	
A4	2:1	mm	Z.C	