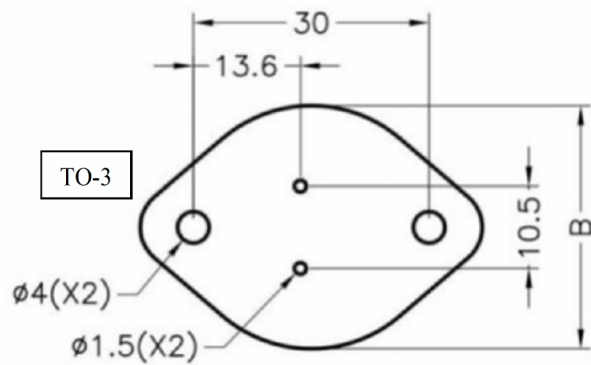
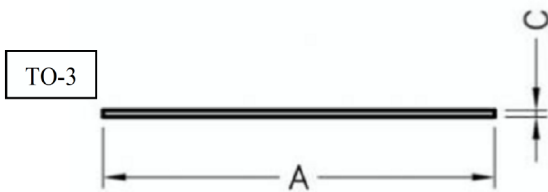
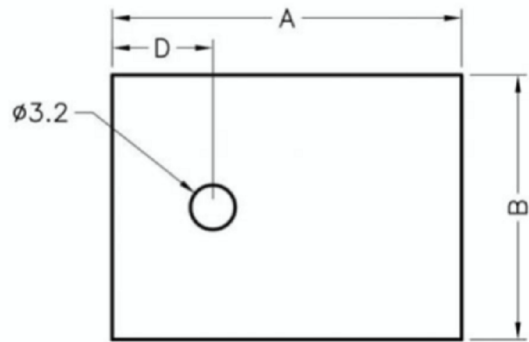
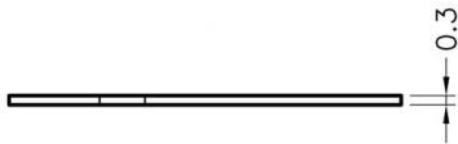


**⚠** This dwg is for reference only, Actual dwg should be based on formal engineering dwg.



Part#	A	B	C
TO-220	19.0	13.2	5.0
TO-3P	25.0	19.0	7.2
TO-3	43.5	31.0	0.3

PART NUMBER		TO-xxx	SPEC. DWG.	
TITLE				
SILICON INSULATOR				
MATERIAL			COLOR	
SILICON(UL) 94HB			GRAY	
SIZE	SCALE	UNIT	CHECK	
A4	2:1	mm	Z.C	