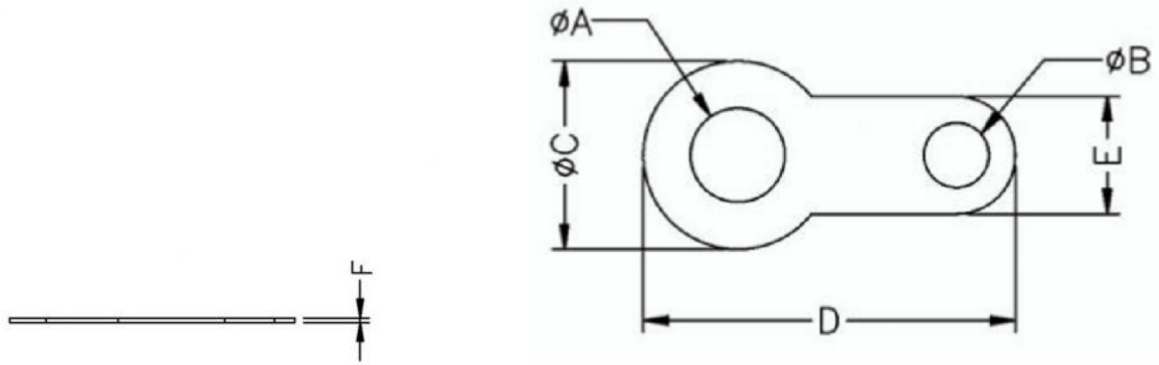


⚠ This dwg is for reference only, Actual dwg should be based on formal engineering dwg.



Part #	A	B	C	D	E	F
GND-10	6.3	2.1	10.0	19.9	5.1	0.3
GND-11	9.0	2.0	13.0	30.0	4.0	0.3
GND-17	4.2	1.6	6.8	12.9	3.2	0.4
GND-21	3.7	1.6	6.3	12.6	3.2	0.4

PART NUMBER			GND-XX	SPEC. DWG.			
TITLE							GROUND TERMINAL
MATERIAL					COLOR		
NICKEL PLATED BRASS							
SIZE	SCALE	UNIT	CHECK				
A4	2:1	mm	Z.C				