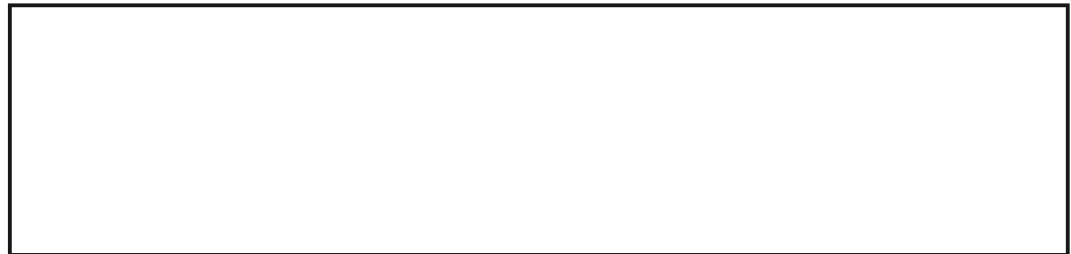
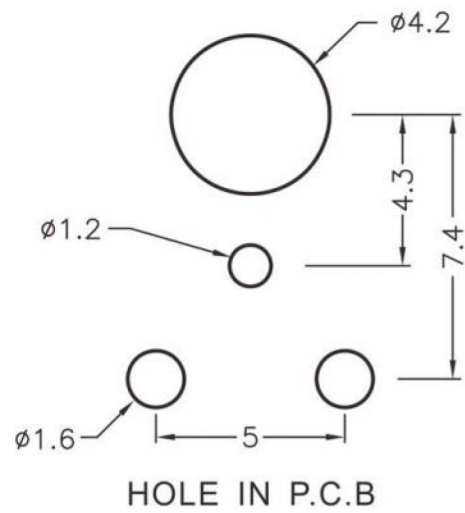
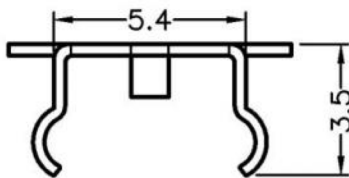
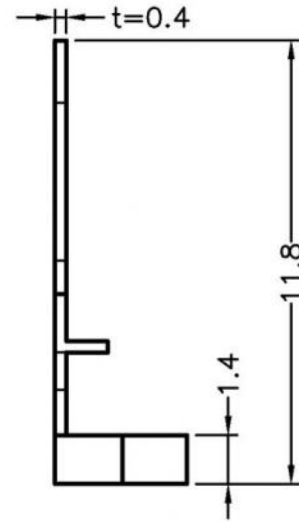
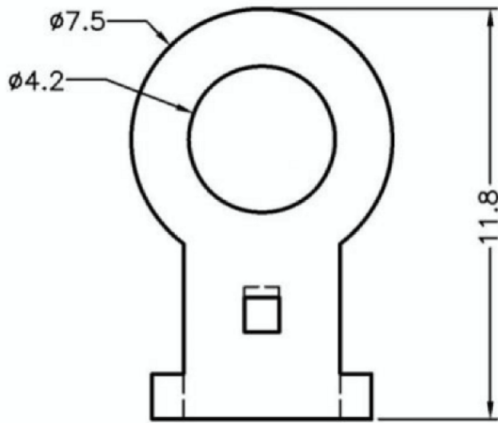


⚠ This dwg is for reference only, Actual dwg should be based on formal engineering dwg.



PART NUMBER		GND-13	SPEC. DWG.	
TITLE				
GROUND TERMINAL				
MATERIAL			COLOR	
TIN PLATED BRASS				
SIZE	SCALE	UNIT	CHECK	
A4	2:1	mm	Z.C	