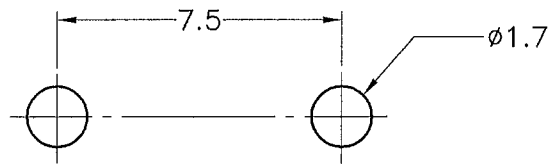
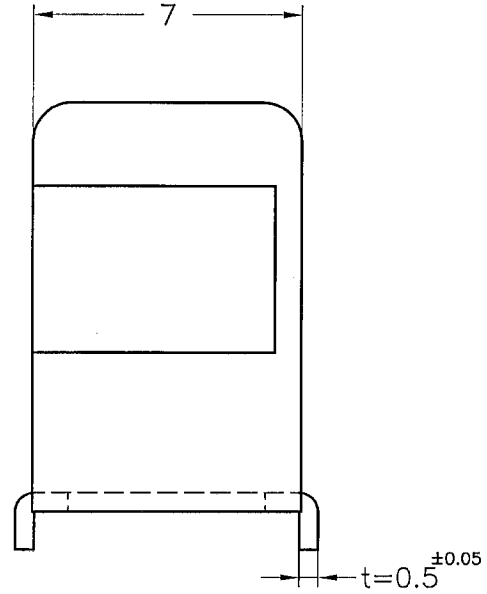
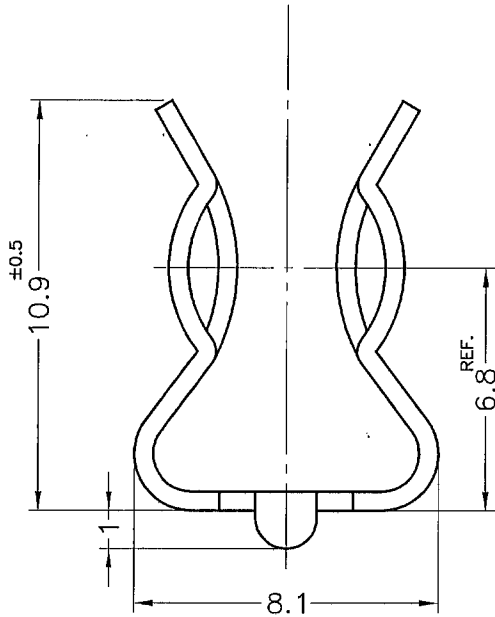


REVISIONS			
REV	DESCRIPTION	DATE	BY



MOUNTING HOLES

the **vital**  
component

PART NUMBER <b>FUC-14</b>		DRAWING NUMBER <b>FUC-14</b>		TITLE	
SIZE A4	SCALE 5:1	UNIT mm	REV A	TERMINAL MAT'L <b>BRASS</b>	DATE 2010.04.20
				INSULATION MAT'L <b>TIN PLATING</b>	DRAWN <b>JIM</b>
				INSULATION COLOR	CHECK
				UNLESS OTHERWISE SPECIFIED TOLERANCE <b>±0.2</b>	APPROVED <i>Kary</i>