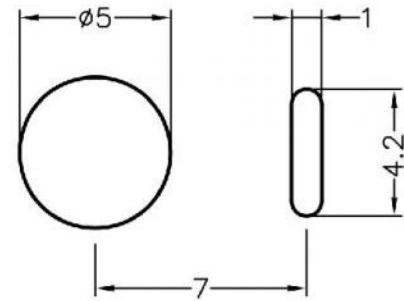
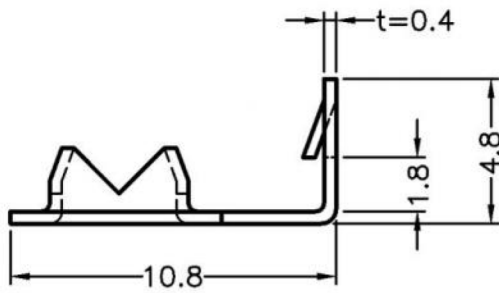
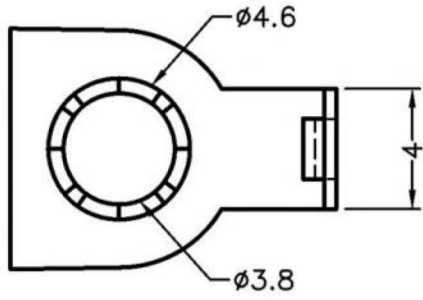




THE VITAL COMPONENT

WEBSITE PHOTOS

This dwg is for reference only, Actual dwg should be based on formal engineering dwg.



HOLE IN P.C.B



the **vital**
component

PART NUMBER		GND-12	SPEC. DWG.	
TITLE				
GROUND TERMINAL				
MATERIAL			COLOR	
TIN PLATED BRASS				
SIZE	SCALE	UNIT	CHECK	
A4	2:1	mm	Z.C	