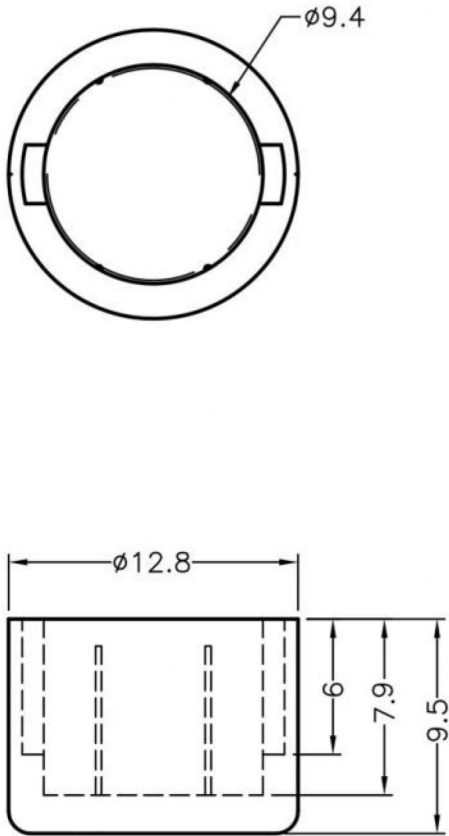


⚠ This dwg is for reference only, Actual dwg should be based on formal engineering dwg.



All measurement does not include gate which raises under 0.3mm.



the **vital**
component

PART NUMBER		BNC-2	SPEC. DWG.	
TITLE				
CONNECTOR COVER				
MATERIAL		PE	COLOR	GRAY
SIZE	A4	SCALE	2:1	UNIT
			mm	CHECK
				Z.C