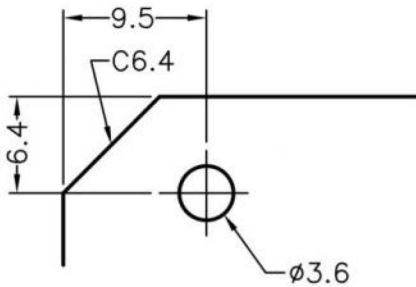
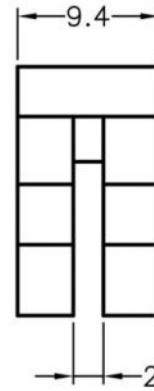
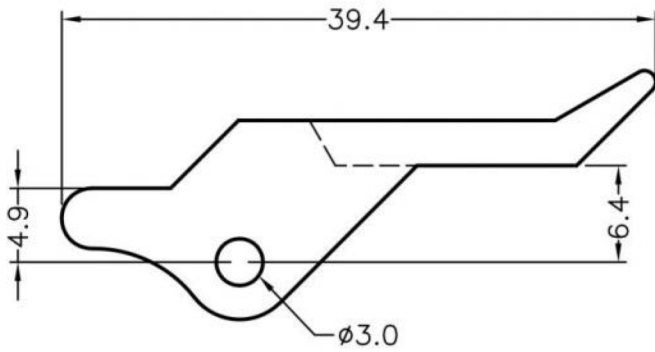




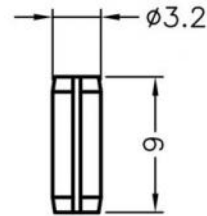
THE VITAL COMPONENT

WEBSITE PHOTOS

⚠ This dwg is for reference only, Actual dwg should be based on formal engineering dwg.



MOUNTING HOLE



PIN

MATERIAL		COLOR
1	NYLON 66(UL) 94V-0	NATURAL
2	STEEL	BLACK

All measurement does not include gate which raises under 0.3mm.

M1 is the material of the plastic part.

M2 is the material of the metal part.



the **vital**
component

PART NUMBER		CP-50	SPEC. DWG.	
TITLE				
CARD PULLER				
MATERIAL			COLOR	
SEE ABOVE			SEE ABOVE	
SIZE	SCALE	UNIT	CHECK	
A4	2:1	mm	Z.C	