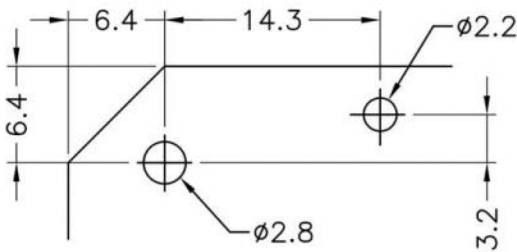
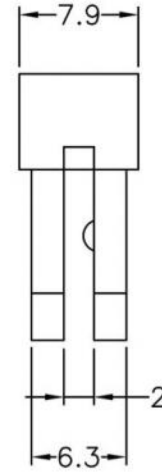
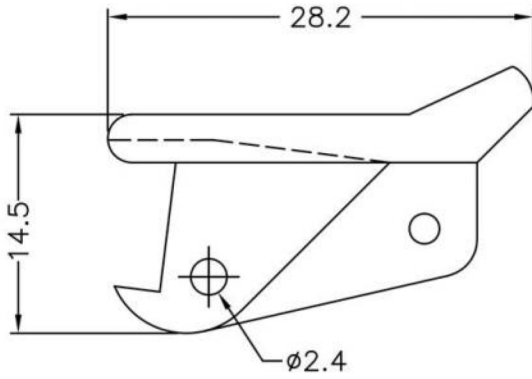




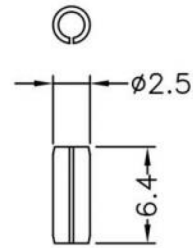
THE VITAL COMPONENT

WEBSITE PHOTOS

⚠ This dwg is for reference only, Actual dwg should be based on formal engineering dwg.



MOUNTING HOLE



PIN

MATERIAL		COLOR
1	NYLON 66(UL) 94V-0	NATURAL
2	STEEL	

All measurement does not include gate which raises under 0.3mm.

M1 is the material of the plastic part.

M2 is the material of the metal part.



the **vital**
component

PART NUMBER		CP-30	SPEC. DWG.	
TITLE				
CARD PULLER				
MATERIAL		SEE ABOVE	COLOR	
			SEE ABOVE	
SIZE	A4	SCALE	2:1	UNIT
			mm	CHECK
				Z.C