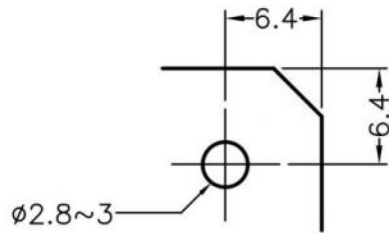
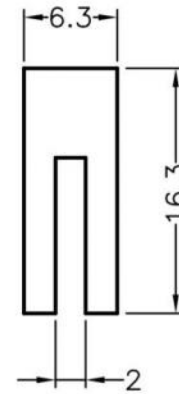
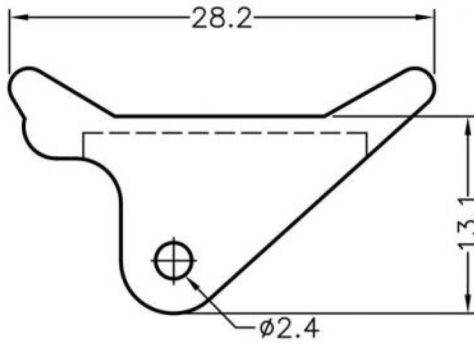
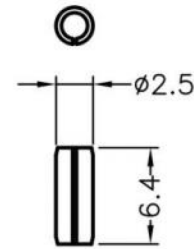


⚠ This dwg is for reference only, Actual dwg should be based on formal engineering dwg.



MOUNTING HOLE



PIN

MATERIAL		COLOR
1	NYLON 66(UL) 94V-0	BLACK
2	POM(UL) 94HB	NATURAL
3	STEEL	

All measurement does not include gate which raises under 0.3mm.

M1 or M2 is the material of the plastic part.

M3 is the material of the metal part.



the **vital**
component

PART NUMBER		CP-25	SPEC. DWG.	
TITLE				
CARD PULLER				
MATERIAL			COLOR	
SEE ABOVE			SEE ABOVE	
SIZE	SCALE	UNIT	CHECK	
A4	2:1	mm	Z.C	