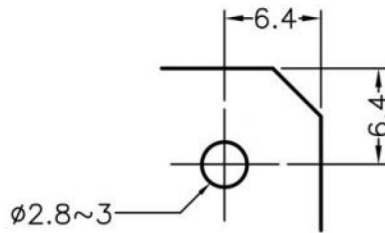
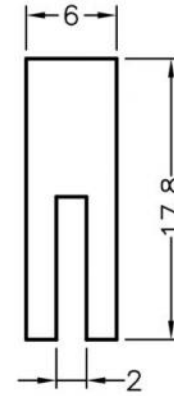
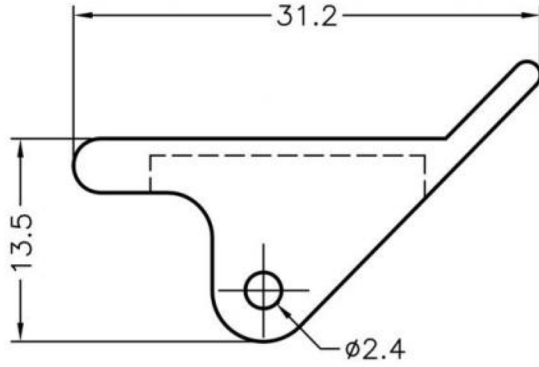




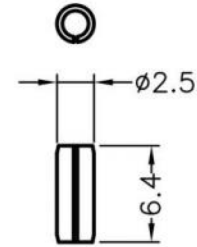
THE VITAL COMPONENT

WEBSITE PHOTOS

⚠ This dwg is for reference only, Actual dwg should be based on formal engineering dwg



MOUNTING HOLE



PIN

| MATERIAL |              | COLOR |
|----------|--------------|-------|
| 1        | POM(UL) 94HB | WHITE |
| 2        | STEEL        |       |

All measurement does not include gate which raises under 0.3mm.

M1 is the material of the plastic part.

M2 is the material of the metal part.



the **vital**  
component

|             |       |       |            |  |
|-------------|-------|-------|------------|--|
| PART NUMBER |       | CP-15 | SPEC. DWG. |  |
| TITLE       |       |       |            |  |
| CARD PULLER |       |       |            |  |
| MATERIAL    |       |       | COLOR      |  |
| SEE ABOVE   |       |       | SEE ABOVE  |  |
| SIZE        | SCALE | UNIT  | CHECK      |  |
| A4          | 2:1   | mm    | Z.C        |  |