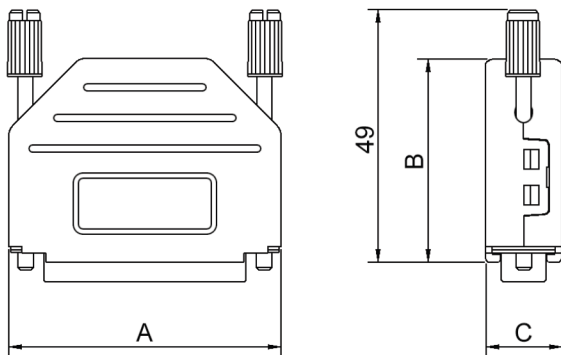


TECHNICAL SPECIFICATIONS

Material: Polyamid, UL-recognised
Operating Temperature: -55°C to +110°C
Cable Entry: Top
Thumbscrews: UNC 4-40 (Standard)
M2,5 or M3 on request
Cable O.D: Up to 11,5mm



Size	Dim A	Dim B	Dim C
9-way	31,5	34,0	15,0
15-way	40,0	34,0	15,0
25-way	53,5	34,0	15,0
37-way	70,0	40,0	15,0
50-way	67,5	40,0	15,0

Features:

- Available in sizes 9-15-25-37-50-way
- Suitable for any common Sub-D connector
- Quick-snap locking system
- Standard Colour Black, other colour on request

ORDERING INFORMATION:

Kitted Part Number

MHDPPKxx-yy-K

xx=Number of ways **9,15,25,37,50**

yy=Select from colour code suffix

COLOUR CODE SUFFIX

BLACK = "Leave Blank" Standard colour

LIGHT GREY = LG

DEC GREY = DE

RED = R

BLUE = B

YELLOW = Y

GREEN = G

WHITE = W