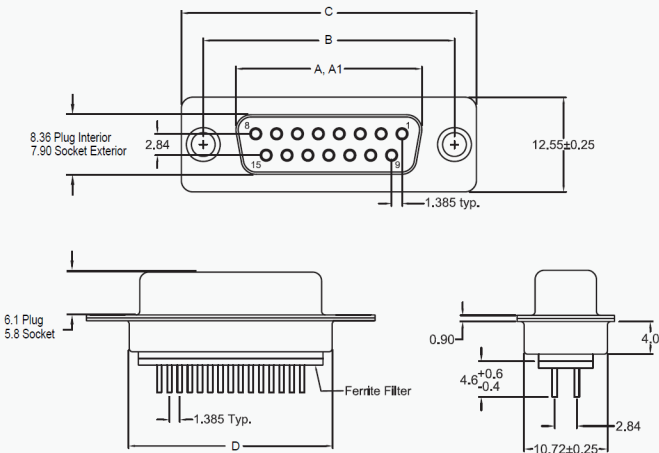


**D-SUBMINIATURE CONNECTORS:**  
**KF85X Series**  
 Vertical PCB Mount Low Profile with Ferrite

**KF85X Series Dimensions**  
 Dimensions in mm



**Ferrite Specifications**

Test Frequency	Edge Hole	Inner Hole
30 Mhz	10-14 Ohms	13-17 Ohms
50 Mhz	12-18 Ohms	15-19 Ohms
100 Mhz	15-20 Ohms	19-24 Ohms

Number of Contacts (Shell Size)	Dimensions (Inch/mm)				
	A	A1	B	C	D
9 (E)	.643	.666	.984	1.213	.755
	16.33	16.92	24.99	30.81	19.18
15 (A)	.971	.994	1.312	1.541	1.083
	24.66	25.25	33.32	39.14	27.51
25 (B)	1.511	1.534	1.852	2.088	1.614
	38.38	38.96	47.04	53.04	41.00
37 (C)	2.159	2.182	2.500	2.729	2.272
	54.84	55.42	63.50	69.32	57.30

A = Exterior of Female Shell (S)  
 A1 = Interior of Male Shell (P)



Generated Part Number

**KF85X-ED-9P-30**

Part Number Builder

<b>KF85X</b>	-	<b>E</b>	<b>D</b>	<b>9</b>	<b>P</b>		<b>30</b>
Series		Shell Type	Pin Type	Contact Option	Contact Type	Mounting Option	Plating Option

**Series**

**KF85X** - D-Subminiature Connector Vertical PCB Termination, High Profile with Ferrite

**Contact Shell Size**

- E - 9 Contacts
- A - 15 Contacts
- B - 25 Contacts
- C - 37 Contacts

**Contact Construction, Pin Type**

- D - Precision Formed

**Contact Type**

- P - Pin Contact (Plug)
- S - Socket Contact (Receptacle)

**Mounting Option**

- Blank - Through Hole
- BR - With #4-40 Tin Plated 11.00mm Long Boardlocks
- BRJ - With #4-40 Tin Plated 11.00mm Long Boardlocks and #4-40 Jackscrews
- K - With #4-40 Bushings
- KJ - With #4-40 Bushings and #4-40 Jackscrews

**Plating Option**

- Blank - Gold Flash
- 30 - 30µ" Gold