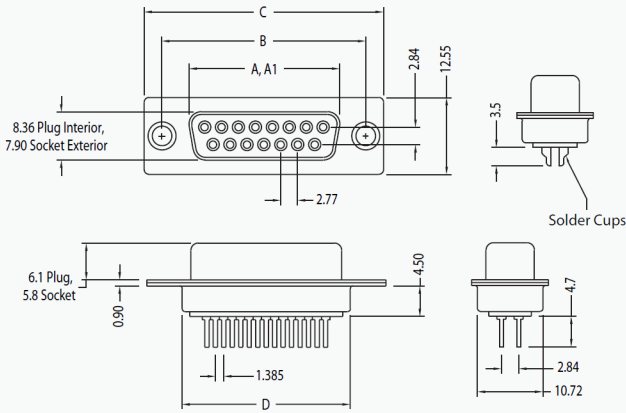




D-SUBMINIATURE CONNECTORS:
K85X Series
 Vertical PCB Mount and Solder Cup

K85X Series Dimensions
 Dimensions in mm



| Number of Contacts (Shell Size) | Dimensions (Inch/mm) | | | | |
|---------------------------------|----------------------|----------------|----------------|----------------|----------------|
| | A | A1 | B | C | D |
| 9 (E) | .643 16.33 | .666 16.92 | .984 24.99 | 1.213 30.81 | .755 19.18 |
| 15 (A) | .971 24.66 | .994 25.25 | 1.312 33.32 | 1.541 39.14 | 1.083 27.51 |
| 25 (B) | 1.511 38.38 | 1.534 38.96 | 1.852 47.04 | 2.088 53.04 | 1.614 41.00 |
| 37 (C) | 2.159 54.84 | 2.182 55.42 | 2.500 63.50 | 2.729 69.32 | 2.272 57.30 |

A = Exterior of Female Shell (S)
 A1 = Interior of Male Shell (P)



Generated Part Number

K85X-EA-9P

Part Number Builder

| | | | | | | | |
|--------|---|------------|----------|----------------|--------------|-----------------|----------------|
| K85X | - | E | A | 9 | P | | |
| Series | | Shell Type | Pin Type | Contact Option | Contact Type | Mounting Option | Plating Option |

Series

K85X - D-Subminiature Vertical Connector

Contact Shell Size

- E - 9 Contacts
- A - 15 Contacts
- B - 25 Contacts
- C - 37 Contacts

Contact Construction, Pin Type

- A - Precision Formed, Solder Cup (Not Available with BR/BRJ)
- D - Precision Formed, Vertical Pin (PCB Mount)

Contact Type

- P - Pin Contact (Plug)
- S - Socket Contact (Receptacle)

Mounting Option

- Blank - Through Hole
- BR - With #4-40 Threaded Boardlocks
- BRJ - #4-40 Threaded Boardlocks and #4-40 Jackscrews Installed
- K - #4-40 Threaded Bushings
- KJ - #4-40 Threaded Bushings and #4-40 Jackscrews Installed
- R - Round Jackscrews

Plating Option

- Blank - Gold Flash
- 30 - 30µ" Gold