



Notice of Discontinuation

Company: KYCON, Inc.
305 Digital Dr.
Morgan Hill, CA 95037
USA
408-494-0330

3/31/2023

Re: **EOL**

Part Number: KLDX-SMT2-0202-ATR; KLDX-SMT2-0202-BTR

Please note that the above part numbers are EOL due to worn tooling.

Engineering has approved an alternate part.
Please Contact Toby for details: sales@toby.co.uk

Alternate part numbers:
KLDX-SMT2-0202-ATR-1
KLDX-SMT2-0202-BTR-1

Redline comparison drawing is available online at Toby.co.uk

Please Contact Toby if you require more information: SALES@TOBY.CO.UK

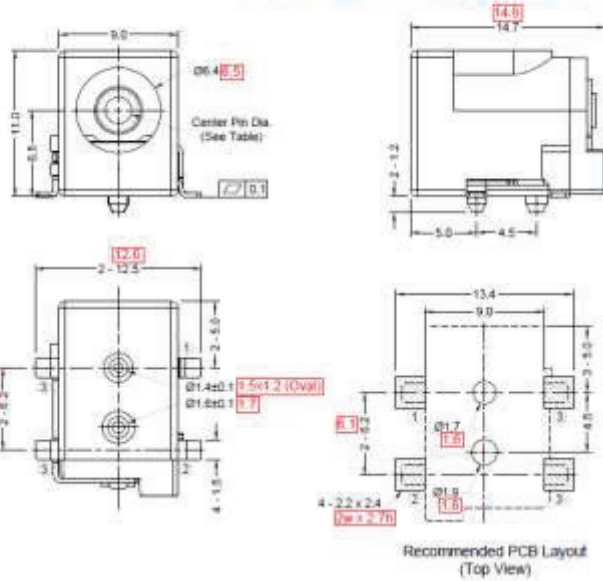
Signature: _____

A handwritten signature in black ink, appearing to read 'Jill Scarnecchia', written over a horizontal line.

Name: Jill Scarnecchia

KYCON, Inc. 305 Digital Drive, Morgan Hill, CA 95037 (408)484-0330

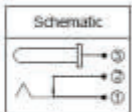
As Compared to KLDX-SMT2-0202-xTR Rev. B5



Materials and Finish
 Housing: High Temperature Thermoplastic, UL 94V-0 Rated, Black Color
 Contact Material:
 Center Pin: Copper Alloy, Nickel Plated
 Contact #1: Copper Alloy, Silver Plated
 Contact #2: Copper Alloy, Silver Plated
 Contact #3: Copper Alloy, Silver Plated

Electrical Characteristics
 Rated Current: 5A @ 50°C
 Rated Voltage: 20V DC @ 50°C
 Insulation Resistance: 100 Megohms Min. at 50V DC
 Contact Resistance: 30 Milliohms Max. (Initial)
 60 Milliohms Max. (After Durability)
 Dielectric Withstanding Voltage: 500V AC RMS for 1 Minute

Mechanical Characteristics
 Insertion Force: 0.3 Kg - 3.0 Kg
 Withdrawal Force: 0.3 Kg - 3.0 Kg
 Durability: 5000 Mating Cycles Min.
 Operating Temperature: -35°C to +85°C



Part Number	Center Pin Dia.	
KLDX-SMT2-0202-ATR-1	Ø2.0 ^{±0.1}	Ø1.00
KLDX-SMT2-0202-BTR-1	Ø2.5 ^{±0.1}	Ø0.00

RoHS COMPLIANT

Tolerances
X.X ± 0.25
X.XX ± 0.25
Unless Stated Otherwise

PRELIMINARY
 PART IN DESIGN
 SPECIFICATION SUBJECT TO CHANGE

REV.	DATE	DESCRIPTION	REV. BY	CHK. BY	DRAWN BY	DATE
01	11/20/02	NEW DESIGN	C. KADLEHER	C. KADLEHER	C. KADLEHER	11/20/02
02	02/13/03	REVISION	C. KADLEHER	C. KADLEHER	C. KADLEHER	

KLDX-SMT2-0202-xTR-1
 * Center Pin Option

DC Power Jack, SMT, R/A,
 Tape & Reel, RoHS Compliant





DC POWER CONNECTORS: KLDX-SMT2 Series

Surface Mount DC Power Jack

Product Features

- 2.0mm and 2.5mm.
- Built-In DC On/Off Switch
- Laptop and Palm Computers, Portable Modems, Radar Detectors, and Other Portable Device Applications
- Surface Mount
- CSA/NRTL Certified File No. LR78160
- UL File No. E140125

Performance Specifications

Materials and Finish

- Main Housing:** LCP, UL 94V-0 Rated, Black Color
- Back Cover:** PA9T, UL 94V-0 Rated, Black Color
- Center Pin:** Copper Alloy, Nickel Plated
- Contact #1:** Phosphor Bronze, Silver Plated
- Contact #2 and #3:** Brass, Silver Plated

Electrical Characteristics

- Contact Resistance**
- Before Durability Test**
- Between Terminals:** 30 milliohms Max.
- Plug to Contacts:** 50 milliohms Max.
- After Durability Test**
- Between Terminals:** 60 milliohms Max.
- Plug to Contacts:** 100 milliohms Max.
- Rated Voltage:** 24V DC
- Rated Current:** 3.5A
- Insulation Resistance:** 100 Megohms Min. at 500V DC
- Dielectric Withstanding Voltage:** 500V AC RMS for 1 Minute

Mechanical Characteristics

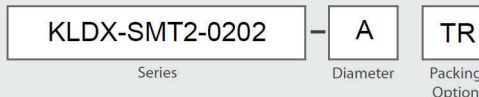
- Durability Test:** 5000 Cycles
- Insertion Force:** 0.3kg - 2.0kg
- Extraction Force:** 0.3kg - 2.0kg
- Operating Temperature:** -25°C to +65°C



Generated Part Number

KLDX-SMT2-0202-ATR

Part Number Builder



Series

KLDX-SMT2-0202 - Surface Mount DC Power Jack

Diameter

- A - 2.0mm Center Pin Diameter
- B - 2.5mm Center Pin Diameter

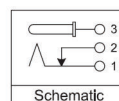
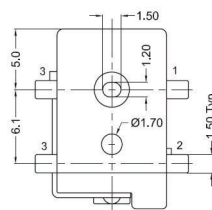
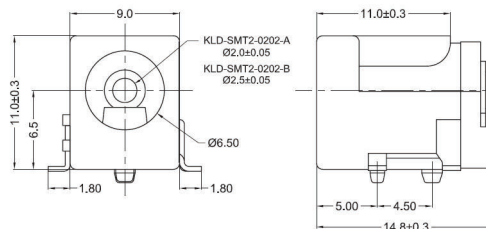
Packaging Option

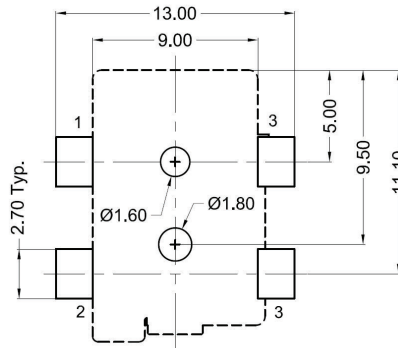
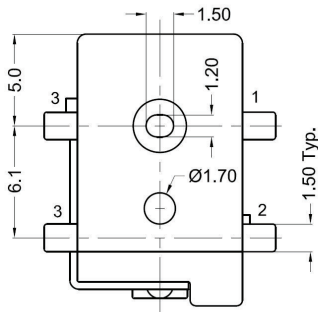
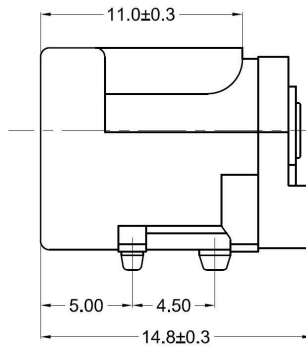
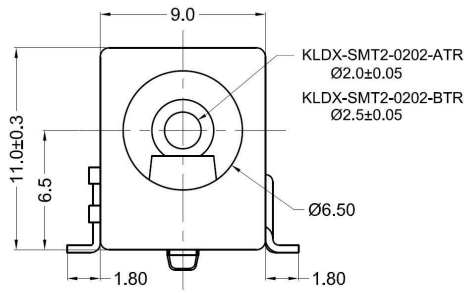
TR - Tape and Reel

Contact Kycon for Other Options

KLDX-SMT2 Series

Dimensions in mm





Recommended PCB Layout
(Component Side)

Material and Finish

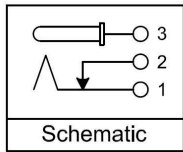
Main Housing: LCP, UL94V-0, Color: Black
 Back Cover: PA9T, UL94V-0, Color: Black
 Contact #1: Phosphor Bronze, Silver Plated
 Contact #2: Brass, Silver Plated
 Contact #3: Brass, Silver Plated
 Center Pin: Copper Alloy, Nickel Plated

Electrical Characteristics

Contact Resistance
 Before Durability Test
 Between Terminals: 30 milliohms Max.
 Plug to Contacts: 50 milliohms Max.
 After Durability Test:
 Between Terminals: 60 milliohms Max.
 Plug to Contacts: 100 milliohms Max.
 Rated Current: 3.5 amps at 24V DC
 Insulation Resistance: 100 Megohms Min.
 at 500 VDC
 Dielectric Withstanding Voltage Test:
 500V AC RMS for 1 minute

Mechanical Characteristics

Durability Test: 5000 cycles min.
 Insertion Force: 0.3kg-2.0kg before test
 0.2kg-2.0kg after test
 Extraction Force: 0.3kg-3.0kg before test
 0.2kg-2.0kg after test
 Operating Temp: -25°C to +65°C



Part Number	Center Post Diameter	Packaging
KLDX-SMT2-0202-ATR	Ø2.00	Tape & Reel (TR option)
KLDX-SMT2-0202-BTR	Ø2.50	

the vital
component

RoHS COMPLIANT
EU Directive 2002/95/EC



Tolerances
X.X ± 0.35
X.XX ± 0.25
Unless Stated Otherwise

REV.	DATE	DESCRIPTION	REV. BY	CHK. BY	DRAWN BY	DATE
A5	10/08/10	ECO #10-071	S. Vjen	H. MA	H. MA	2/1/05
A6	02/03/11	ECO #11-013	S. Vjen	H. MA		
B1	05/10/12	ECO #12-021	S. Vjen	P. DalCanto		
B2	01/16/13	ECO #12-063	S. Vjen	P. DalCanto		
B3	06/20/13	ECO #13-041	W. Cook	P. DalCanto		
B4	08/05/13	ECO #13-055	W. Cook	P. DalCanto		

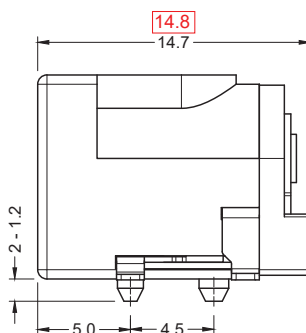
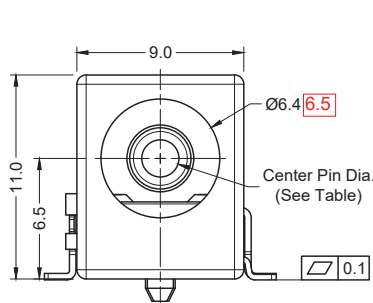
KLDX-SMT2-0202-x

DC Power Jack, SMT

RoHS Compliant



As Compared to KLDX-SMT2-0202-xTR Rev. B5



Materials and Finish

Housing: High Temperature Thermoplastic, UL 94V-0 Rated, Black Color

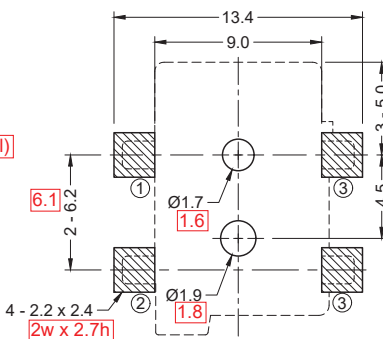
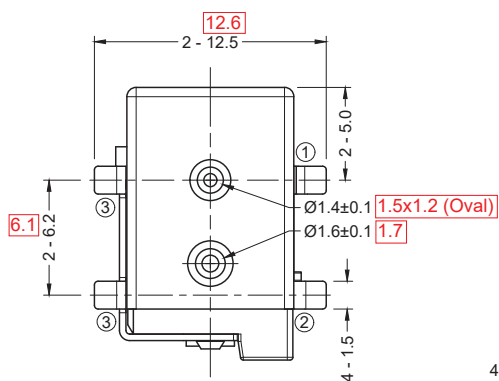
Contact Material:
 Center Pin: Copper Alloy, Nickel Plated
 Contact #1: Copper Alloy, Silver Plated
 Contact #2: Copper Alloy, Silver Plated
 Contact #3: Copper Alloy, Silver Plated

Electrical Characteristics

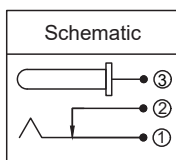
Rated Current: 5A **3.5A**
 Rated Voltage: 20V DC **24V**
 Insulation Resistance:
 100 Megohms Min. at 500V DC
 Contact Resistance:
 30 Milliohms Max. (Initial)
 60 Milliohms Max. (After Durability)
 Dielectric Withstanding Voltage:
 500V AC RMS for 1 Minute

Mechanical Characteristics

Insertion Force: 0.3 Kg **2.0**
 Withdrawal Force: 0.3 Kg - 3.0 Kg
 Durability: 5000 Mating Cycles Min.
 Operating Temperature:
 -25°C to +85°C
+65°C



Recommended PCB Layout (Top View)



PRELIMINARY
 PART IN DESIGN
 SPECIFICATION SUBJECT TO CHANGE

Part Number	Center Pin Dia.	
KLDX-SMT2-0202-ATR-1	Ø2.0 ⁺⁰ _{-0.1}	±0.05
KLDX-SMT2-0202-BTR-1	Ø2.5 ⁺⁰ _{-0.1}	±0.05



RoHS COMPLIANT

Tolerances
0.35 X.X ± 0.25
0.25 X.XX ± 0.20
Unless Stated Otherwise

REV.	DATE	DESCRIPTION	REV. BY	CHK. BY	DRAWN BY	DATE
A0	11/10/22	New Drawing	C. Kelleher	C. Furumasa	C. Kelleher	11/08/22
A0.1	02/01/23	Update Layout	C. Kelleher	C. Furumasa		

KLDX-SMT2-0202-xTR-1
 x = Center Pin Option

DC Power Jack, SMT, R/A,
 Tape & Reel, RoHS Compliant

