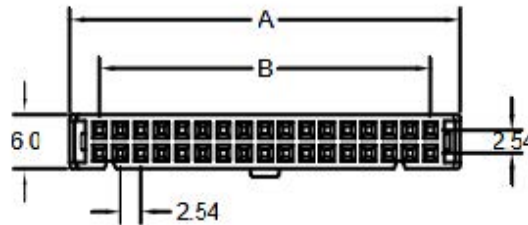
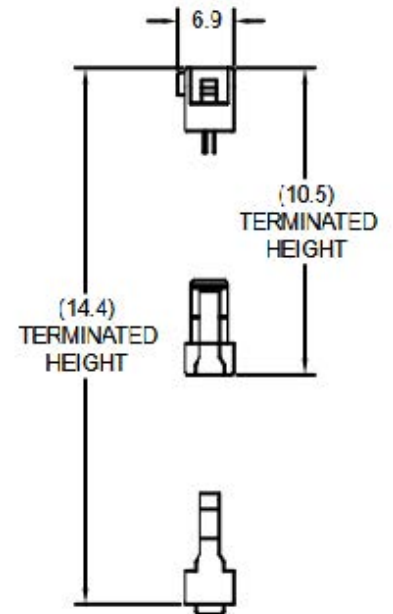
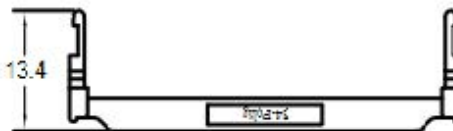
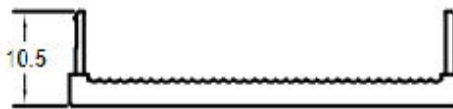
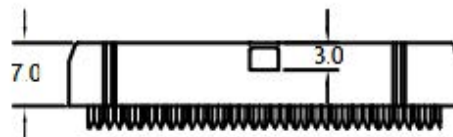


2.54mm Pitch IDC Cable Sockets 101-W-xx-R1 Series

Supplied with strain relief
 With short polarising bump
 RoHS Compliant



Pos.	Dim. A	Dim. B	Dim. C
6	12.32	6.35	5.08
8	14.86	8.89	7.62
10	17.40	11.43	10.16
12	19.94	13.97	12.70
14	22.48	16.51	15.24
16	25.02	19.05	17.78
18	27.56	21.59	20.32
20	30.10	24.13	22.86
24	35.18	29.21	27.94
26	37.72	31.75	30.48
30	42.80	36.83	35.56
34	47.88	41.91	40.64
36	50.42	44.45	43.18
40	55.50	49.53	48.26
44	60.58	54.61	53.34
50	68.20	62.23	60.96
60	80.90	74.93	73.66
64	85.98	80.01	78.74



Ordering Information:

101-W - xx - R1

1

Option 1(xx)

Number of Standard Positions:

06, 08, 10, 12, 14, 16, 20, 24, 26,
 30, 34, 40, 44, 50, 60 & 64

Please note - some sizes from the above table
 may be subject to MOQ

Specification for 101-W-xx-R1

Insulator Material:	PBT, Glass Reinforced, UL94V-0 rated
Contact Material:	Brass
Current Rating:	1 Amp
Contact Plating:	Gold flash over Ni underplate 500V
DWV:	AC for 1 minute
Insulation Resistance:	3000MΩ min. @ 500V DC
Contact Resistance:	30mΩ Max.
Operating Temperature:	-40°C to +105°C

Mates with Valcon L01 series IDC cable &
 Valcon 301 & 302 series PCB Headers